

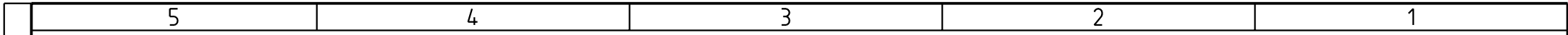


Product details

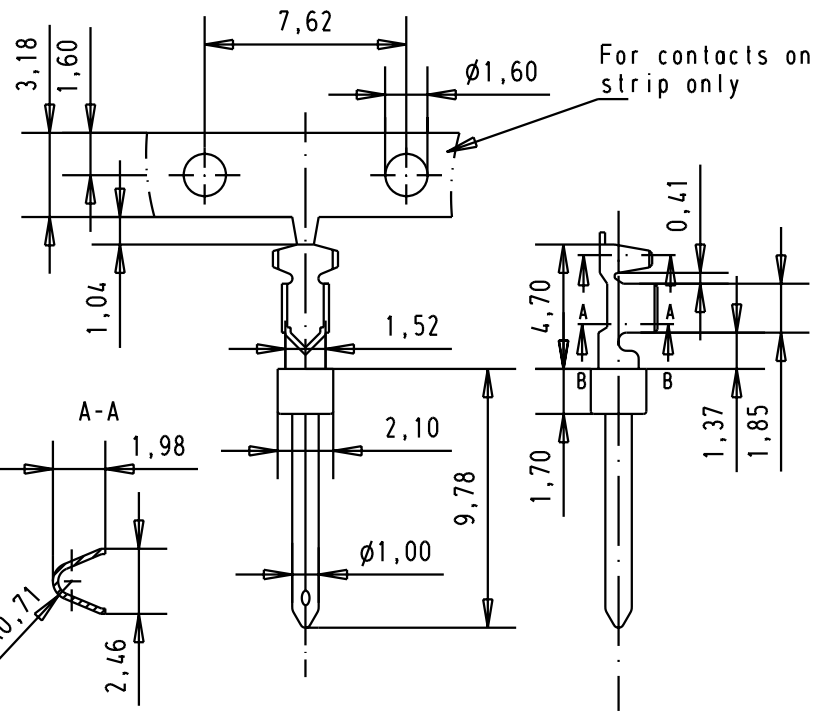
09 67 000 8177

Male crimp contacts

Contact gender	stamped male contacts
Wire gauge	AWG 24-20; 0.5 - 0.56 mm ²
Performance Class	Performance Level 3
Packaging	Individual contacts
Application	browsing..
Type	R 23
RoHS compliant	Yes



D





STAMPED MALE CRIMP CONTACTS				
Number of contacts/bag	Wire gauge AWG	PL S4	PL 3	PL 2
500	AWG 20-24	0967 000 8175	0967 000 8177	0967 000 8178

C

B

A

base material: Brass
 plating: sliding contact gold plated over nickel
 crimp area SnPb over nickel

				Dat.	Name	 All Dim. in mm Orig. Size DIN A 4	D-Sub, Stamped Male crimp Contacts AWG 20-24 500 per bag	Maßstab/ Scale 3.5:1	
				Detail.	24-MAR-03				PP
				Insp.					
				Stand.					
31475	24-MAR-03	PP	HARTING EURL F-95972 Paris				TB 0967 000 817X	Blatt/ Page 1 /	
Mod.	Dat.	Name							Sub.